

The Coppersmith

Estate Extension Installation Instructions

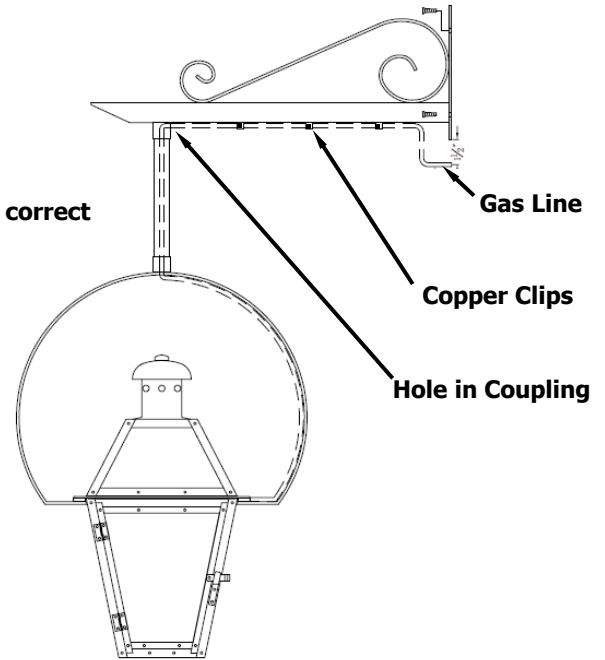
Installation should be performed by a licensed professional.

Refer to the Gas and Electric Lantern Installation Instructions included with the lantern before beginning the installation.

The Estate Extension bracket can be used with Yoke, Stem and Chain hanging applications.
Refer to the appropriate section of these instructions for the particular application.

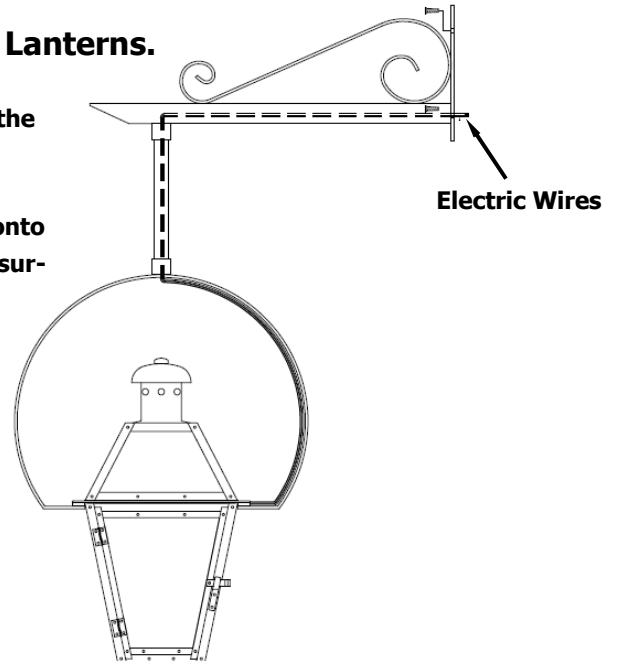
Yoke and Stem applications for Gas Lanterns.

1. Using the instructions for the CLASSIC or PENDENT YOKE, install the lantern onto the Yoke.
2. Fasten the Extension bracket onto the mounting surface using the correct fasteners for the mounting surface material. (Not Included)
3. Route the gas line through the hole in the coupling and down the extension tube.
4. Secure the gas line onto the extension tube using the copper clips and fasteners that are provided.
5. Make the final gas line connection at the wall as shown.



Yoke and Stem mounting applications for Electric Lanterns.

1. Using the instructions for the CLASSIC or PENDENT YOKE, install the lantern onto the Yoke.
2. Rout the electrical wire through the extension tube as shown.
2. Make the electrical connections and fasten the Extension bracket onto the mounting surface using the correct fasteners for the mounting surface material. (Not Included)



For additional technical assistance:

251.621.3435

TOLL FREE: 866.249.1918

Thank you for choosing Coppersmith products.