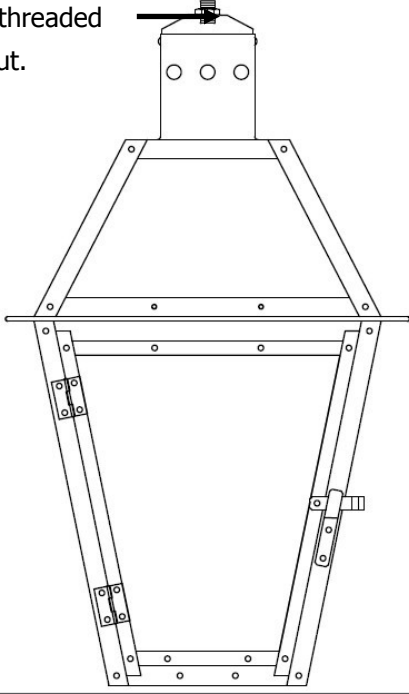


# The Coppersmith


## Fluted Top Installation Instructions.

1. Remove brass cap nut. → 

2. Remove chimney cap. → 


3. Remove the threaded nipple and nut. 

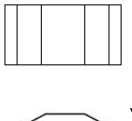
Brass ball nut → 

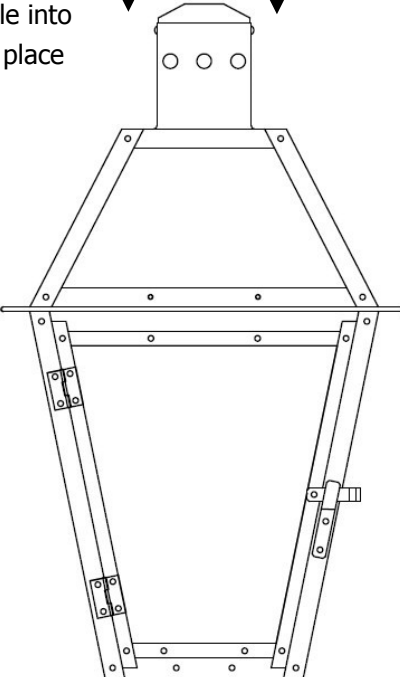
Brass finial → 

Chimney Cap → 

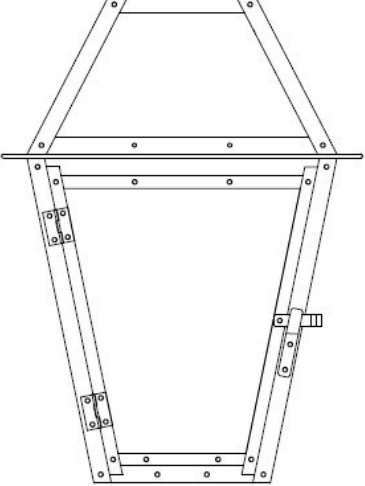
Brass nut → 

Threaded nipple → 

4. Slide the fluted sleeve over the chimney. 

5. Install the threaded nipple into chimney and secure it in place with the brass nut. 

1/4" Minimum space is required. 

6. Slide the chimney cap and copper finial over the threaded nipple and secure in place with the brass ball nut. 

**Note:** The fluted barrel will expand to fit the chimney. Adjust it to be centered top to bottom on the chimney.

**For technical assistance:**  
**251.621.3435 Toll Free: 866.249.1918 [www.thecoppersmith.net](http://www.thecoppersmith.net)**