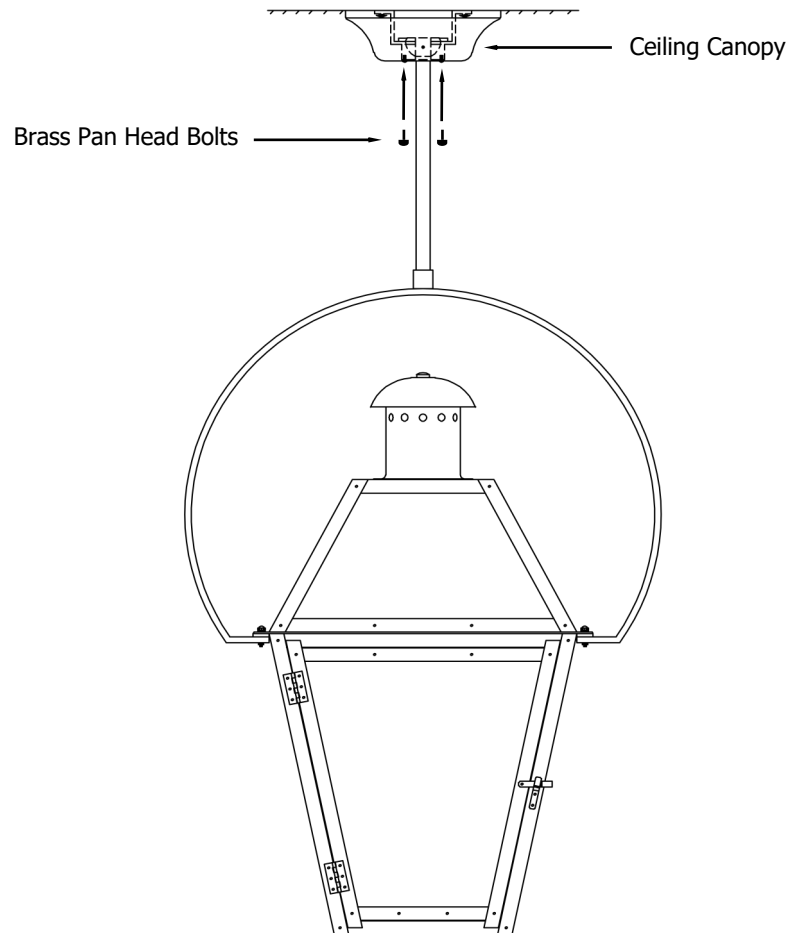


## Heavy Slope Ceiling Mount Instructions (HSCM)

9. Follow the leak testing procedure outlined in the Gas and Electric Lantern Installation Instructions that were supplied in the lantern packaging.
10. Install the Ceiling canopy using the brass pan head bolts that are supplied in the hardware bag.



**Refer to the Gas and Electric Lantern Installation Instructions included with the lantern before beginning the installation.**

**Note:** This installation should be performed by a licensed professional.

This product was developed to be used with larger lanterns and lanterns being hung with longer down rods to prevent extreme leveraged forces applied to the mounting plate fasteners.

In some applications it is also suggested that additional lateral support be used to prevent excessive swaying of the lantern.

The HSCM can be used on sloped ceilings with an angle up to 20° or a 4" on 12" roof pitch.

Due to the fact that there is no way for The Coppersmith to know what type of mounting surface the lantern will be mounted onto, no mounting fasteners are supplied.

**For gas applications: This kit is supplied with a flexible gas line that must be used. If this part is not included in your kit, do not proceed.**

Please read over these instruction carefully before beginning the installation process. If you have any questions, contact our support staff for technical assistance.

**For technical assistance:**

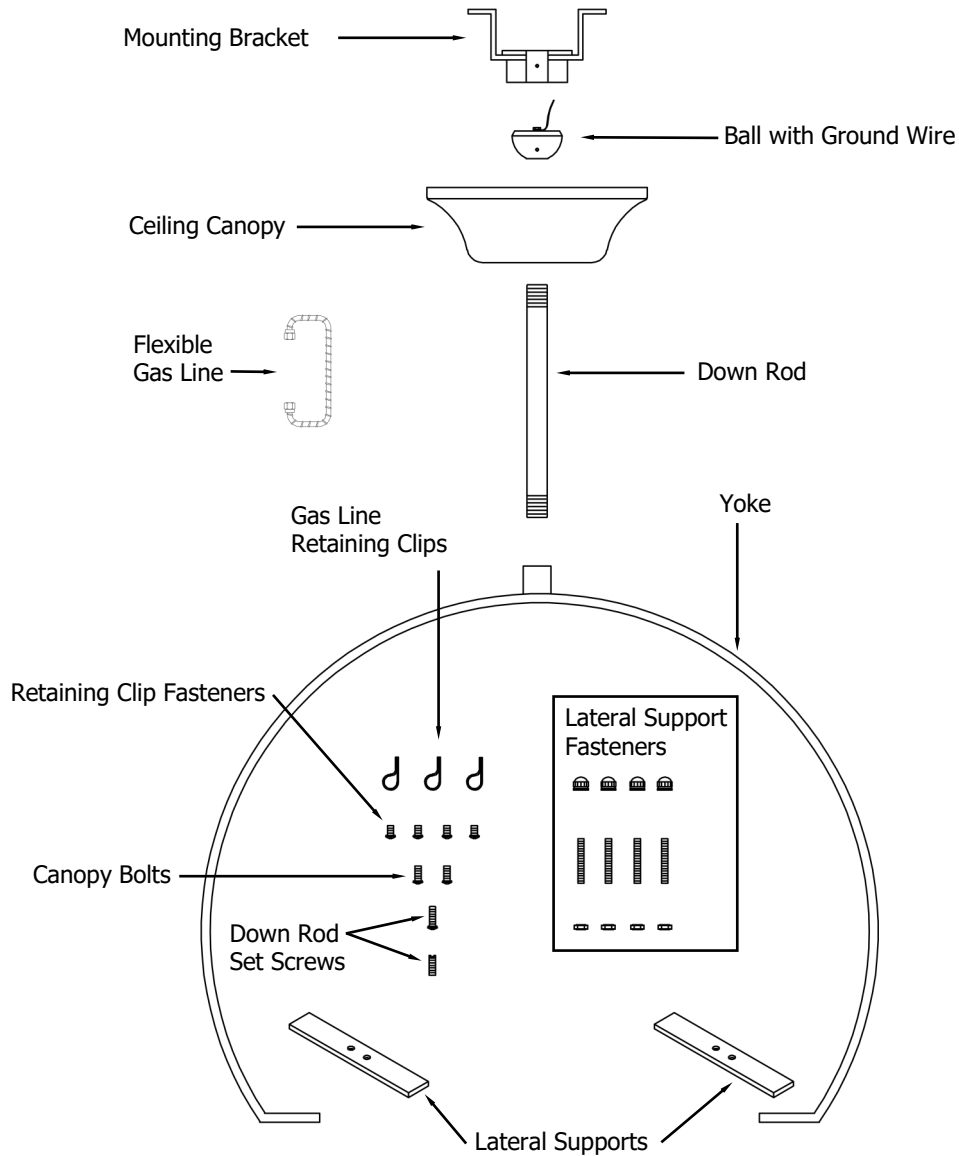
**251.621.3435**

**TOLL FREE: 866.249.1918**

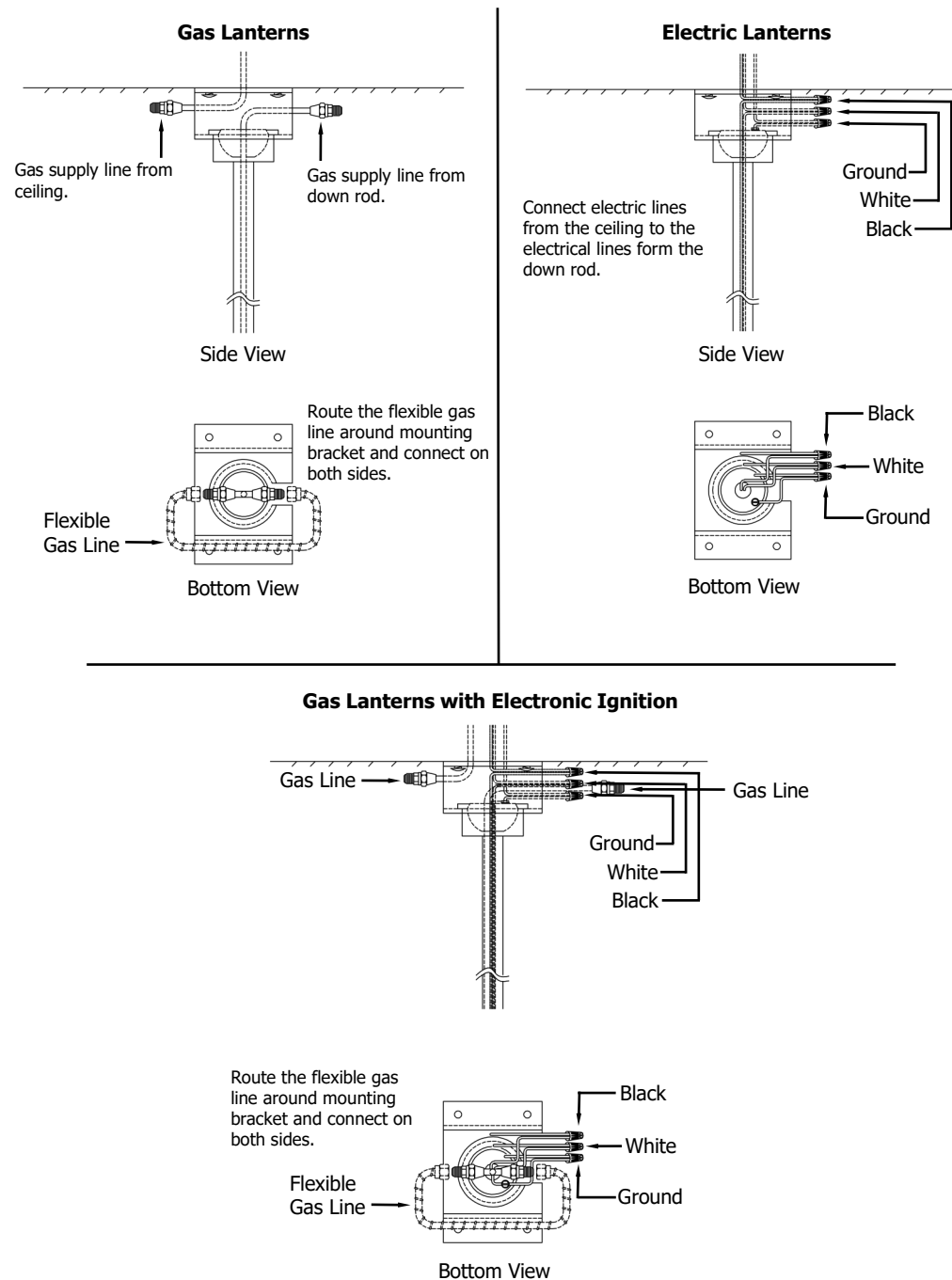
**support@thecoppersmith.net**

**Thank you for choosing The Coppersmith products.**

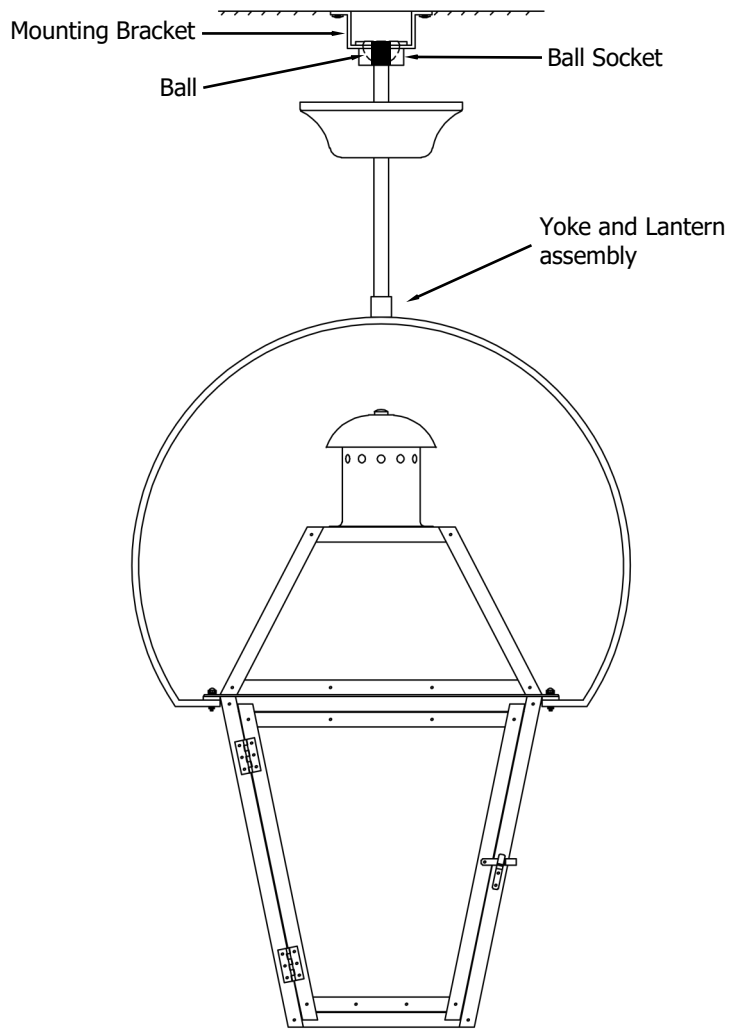
1. This product is packaged in 3 separate boxes. One box contains the yoke, one box contains the down rod and one box contains the HSCM assembly. See the diagram below that shows all of the parts that you will need for this installation.



8. Connect the gas and or electric lines.



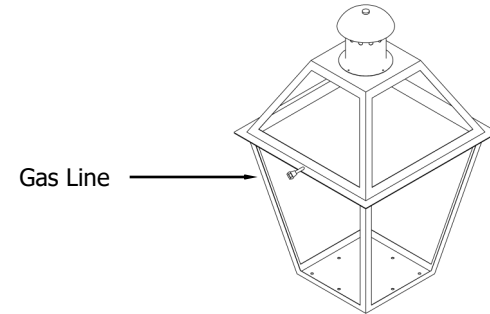
7. Install the yoke and lantern assembly into the ball socket on the mounting bracket. This is accomplished by lifting the lantern and yoke assembly up through the slot in the ball socket located on the mounting plate. Twist the down rod until the set screw in the ball socket fits into the slot on the side of the ball. This will prevent the ball from twisting inside the socket.



2. Remove the lantern from the packaging and make sure the lantern is prepared for the configured properly.

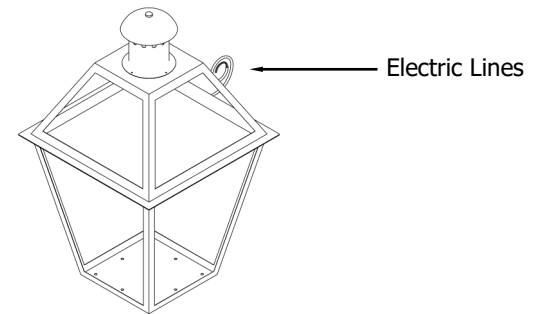
---

**Gas Configuration**



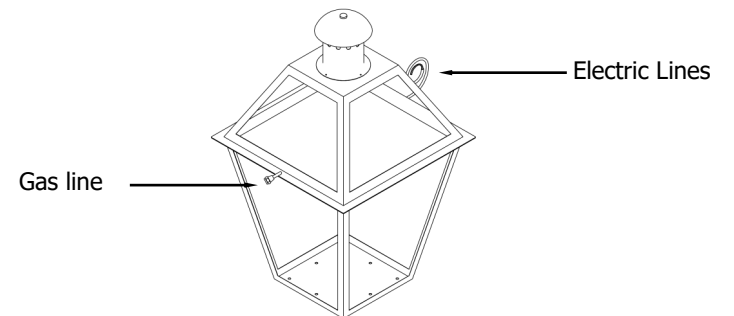
---

**Electric Configuration**

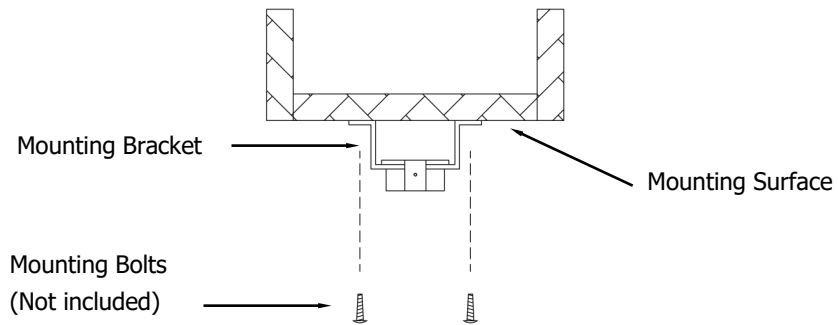


---

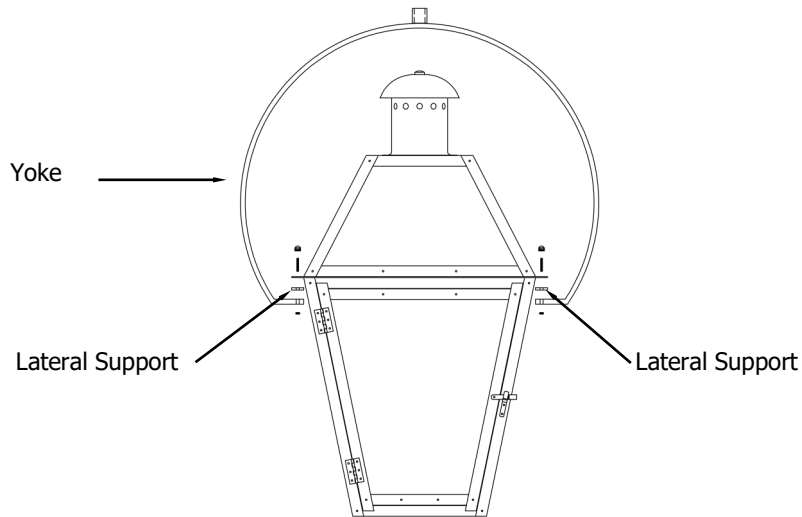
**Electronic Ignition Configuration**



3. Mount the HSCL mounting bracket to the hanging surface.



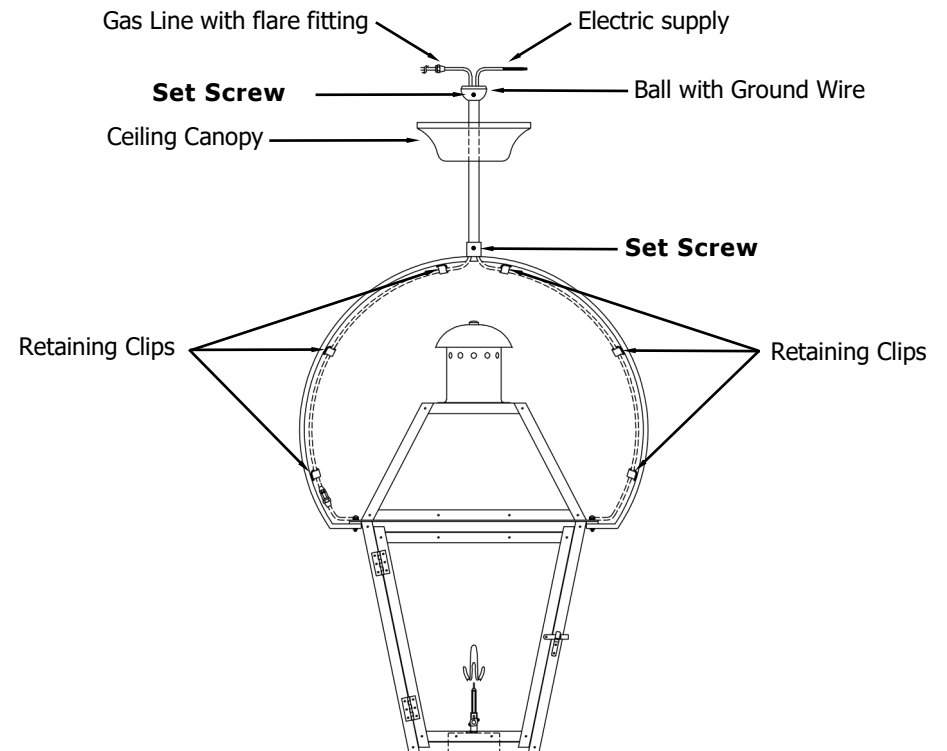
4. Use the 4 threaded studs, hex nuts and ball nuts to attach the lateral supports and yoke onto the lantern.



5. Install the down rod, canopy and ball joint onto the yoke.

6. Install gas and electric lines as per the diagram below.

**Note:** The diagram below shows the configuration when using an electronic ignition system. Gas only applications only require a gas line and electric only applications only require electric lines.



**Be sure to install and tighten the set screws on the ball and yoke couplings. Failure to do so could allow the down rod to become loose and the lantern to fall.**