

The Coppersmith

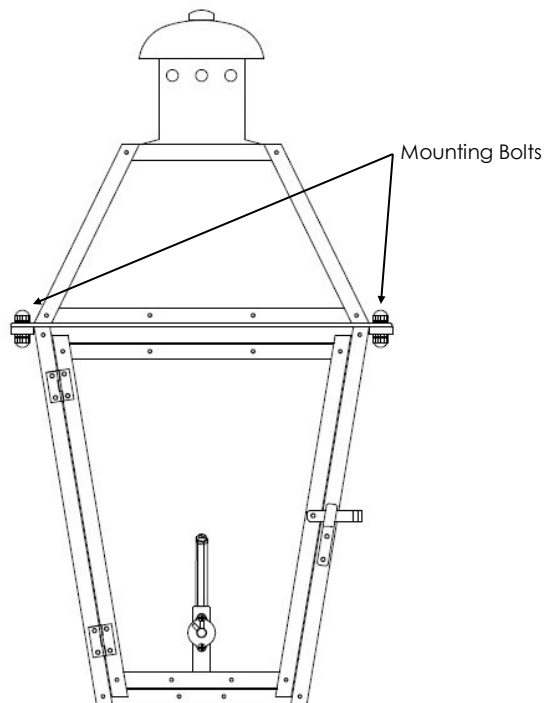
Moustache Installation Instructions

- ◆ This instruction manual applies to all Moustache accessories.
- ◆ This installation is to be performed after the lantern has been installed according to the Gas & Electric Lantern Installation manual.

ATTACHING THE ARMS TO THE LANTERN FRAME

1. Remove the two Moustache Arms from the package and locate the two threaded studs and brass cap nuts that are included in the package.
2. Remove one of the bolts that attach the lantern to the mounting bracket.
3. Using the new bolts and cap nuts and attach one arm. Repeat the procedure and attach the other arm.

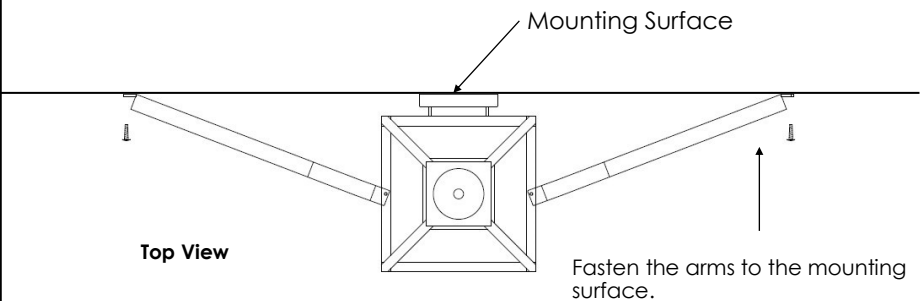
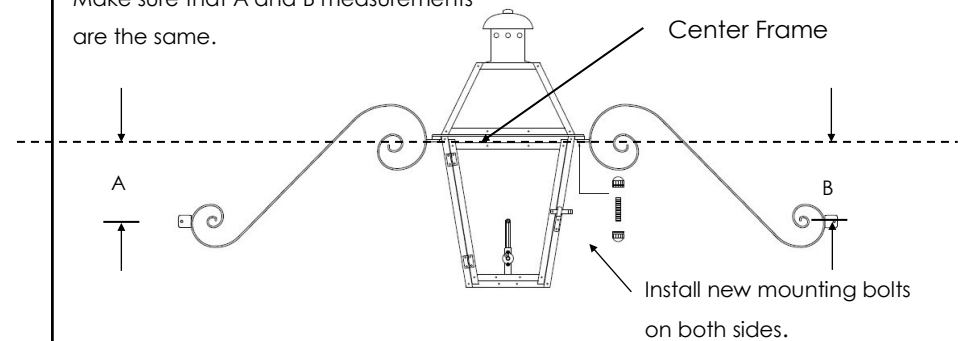
DO NOT REMOVE BOTH MOUNTING BOLTS BEFORE FASTENING ONE OF THE MOUSTACHE ARMS.



POSITIONING THE ARMS BEFORE FASTENING

1. Using a small level, make sure the light is level by placing the level on the center frame.
2. Position one of the arms in the desired position. Traditionally the outside of arm is positioned about 3" up from the bottom of the lantern cage.
3. Use a straight object to position the opposite arm to the same height.

Make sure that A and B measurements are the same.



ATTACHING THE ARMS TO THE MOUNTING SURFACE

When attaching the arms to the mounting surface the proper fasteners must be used for the material that the arms are being attached to.

Masonry anchors should be used for masonry surfaces and wood screws of a suitable length should be used for wood surfaces. When connecting to Drivet or Stucco surfaces you should consult the manufacturer to choose the best fastener option. For this reason we have not included the fasteners for this step.

For additional technical assistance:

251.621.3435

TOLL FREE: 866.249.1918

Thank you for choosing Coppersmith products.

We are happy to assist you with any problems or questions you may have.