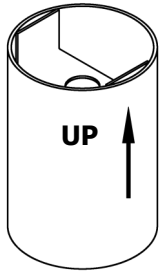


The CopperSmith

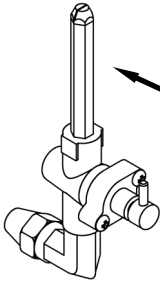
Wind Guard Installation Instructions

This installation should be performed by a licensed professional.



1. Turn off the gas flame and wait 10 minutes for the lantern to cool.

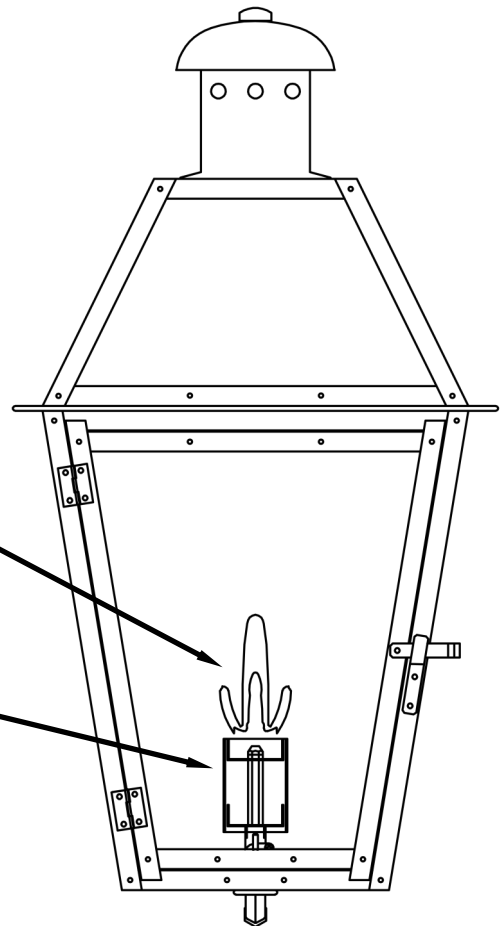
2. Install the Wind Guard with the arrow pointing "UP".



Burner Tip

3. Re-light the lantern.

4. Adjust the flame height to 3".



3" Tall Flame

Wind Guard

Important Note:

Make sure the wind guard extends above the burner tip by approximately 1/4".

For Technical Assistance:

251.621.3435 Toll Free 866.249.1918