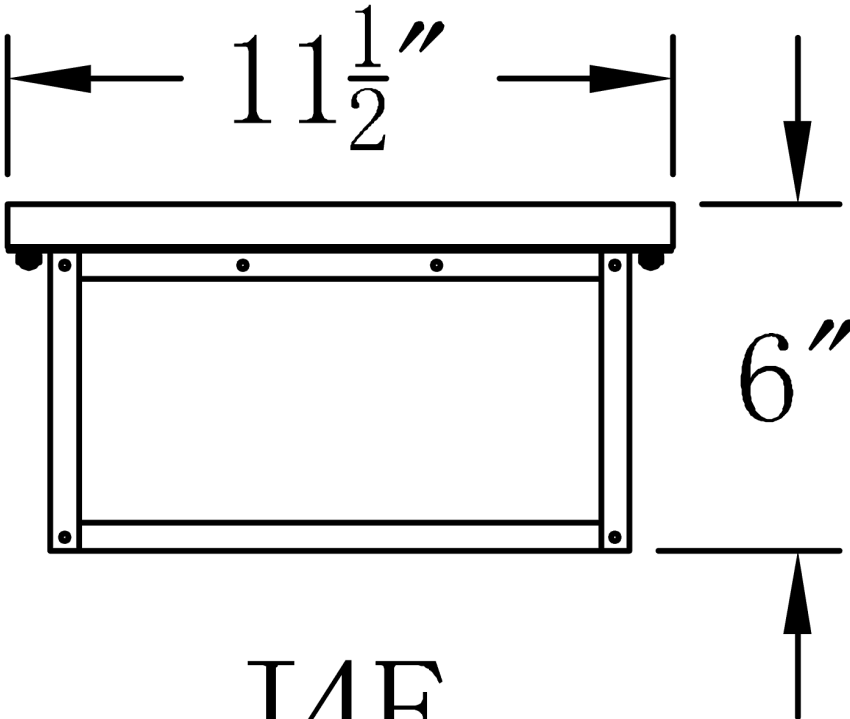


Juniper (J4F) Line Drawing



J4F