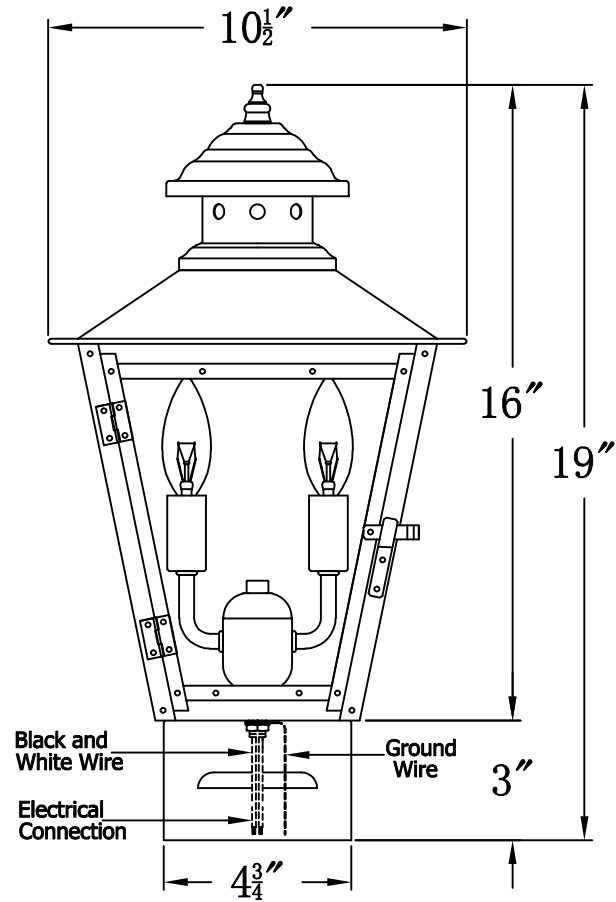


ADAM STREET 41 Electric With Copper Pier Mount
(AS-41E CPM1)



The CopperSmith

Product Description	Drawing Description	9152 Hard Drive
Sockets:2-E12 Candelabra	REV:A/0	Foley Alabama 36536
Watts:2-60W	Date:06/15/2021	SKU Number:AS-41E
	Drawing by:Jason Huang	Product Name:Adam Street 41 Electric