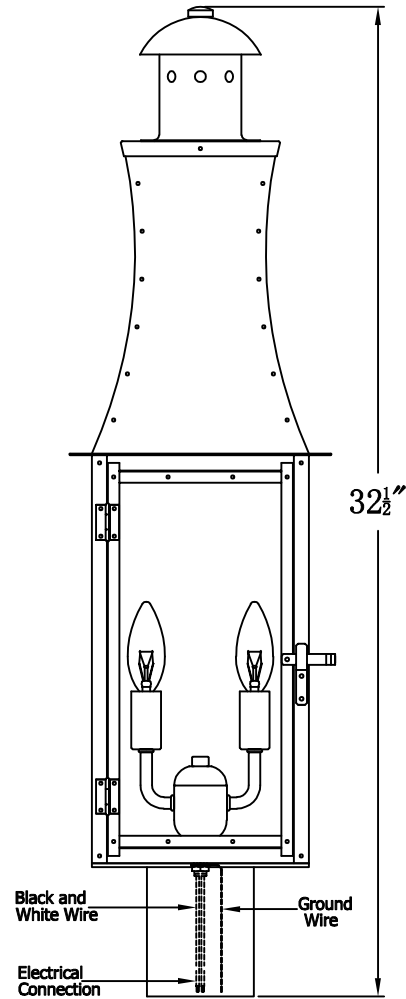


CHURCHILL 30 Electric With Post Fitter  
(CH-30E PF3)



The CopperSmith		
Product Description	Drawing Description	9152 Hard Drive
Sockets:2-E12 Candelabra	REV:A/0	Foley Alabama 36536
Watts:2-60W	Date:02/23/2022	SKU Number:CH-30E
	Drawing by:Jason Huang	Product Name:Churchill 30 Electric