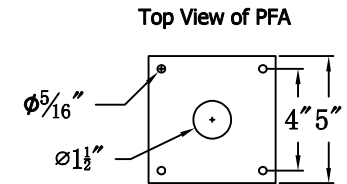
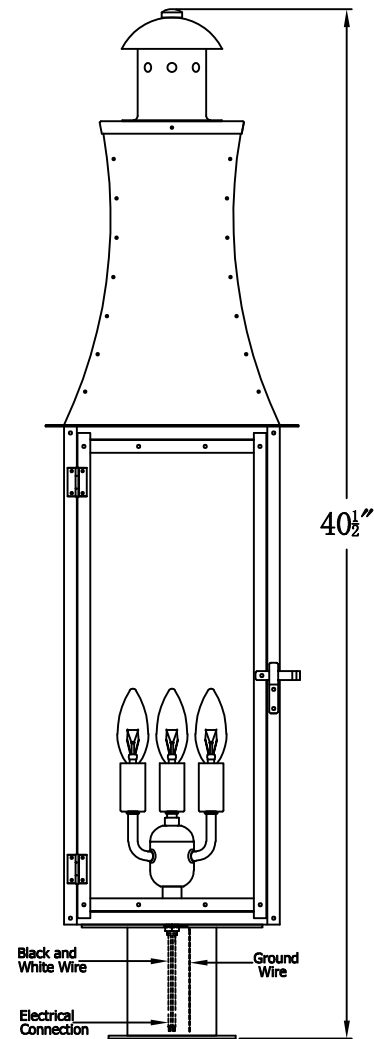


# CHURCHILL 38 Electric With Post Fitter And Pier Mount Adapter (CH-38E PF3/PFA)



<b>The CopperSmith</b>		
Product Description	Drawing Description	<u>9152 Hard Drive</u>
Sockets:3-E12 Candelabra	REV:A/0	<u>Foley Alabama 36536</u>
Watts:3-60W	Date:03/01/2022	SKU Number:CH-38E
	Drawing by:Jason Huang	Product Name:Churchill 38 Electric