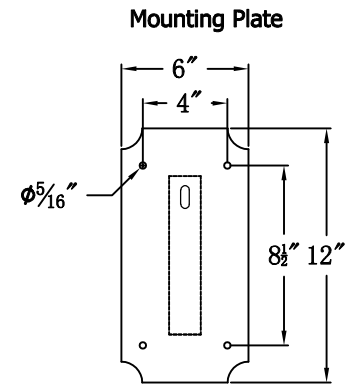
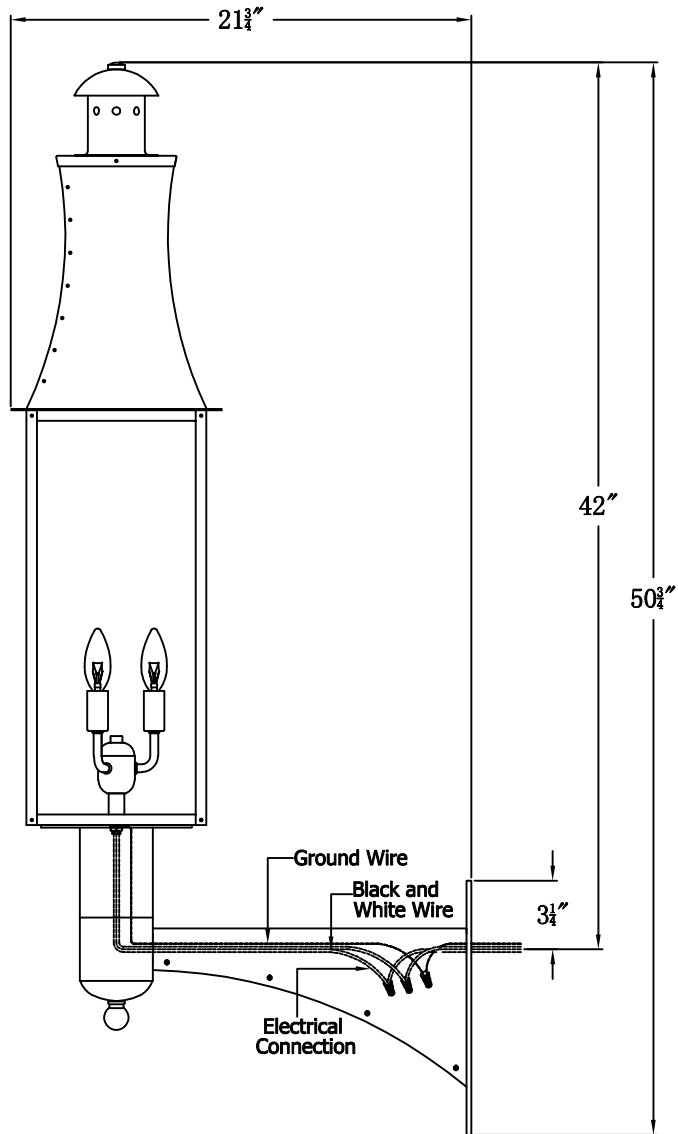


# CHURCHILL 38 Electric With Grand Harbor Extension Bracket (CH-38E GH2)



## The CopperSmith

|                          |                        |                                    |
|--------------------------|------------------------|------------------------------------|
|                          |                        | 9152 Hard Drive                    |
| Product Description      | Drawing Description    | Foley Alabama 36536                |
| Sockets:3-E12 Candelabra | REV:A/0                |                                    |
| Watts:3-60W              | Date:03/01/2022        | SKU Number:CH-38E                  |
|                          | Drawing by:Jason Huang | Product Name:Churchill 38 Electric |