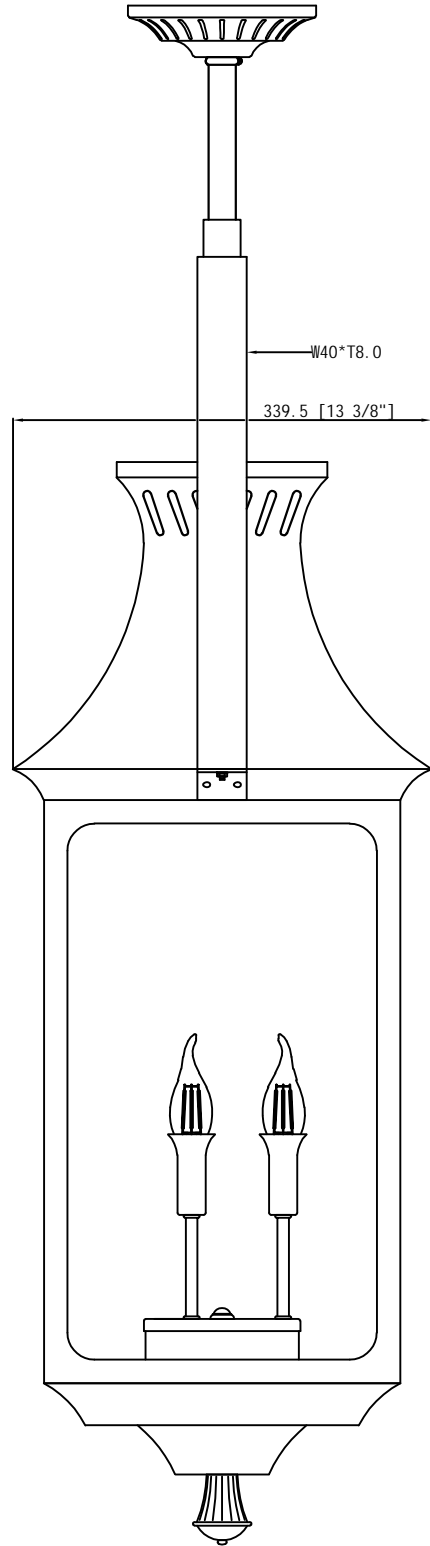
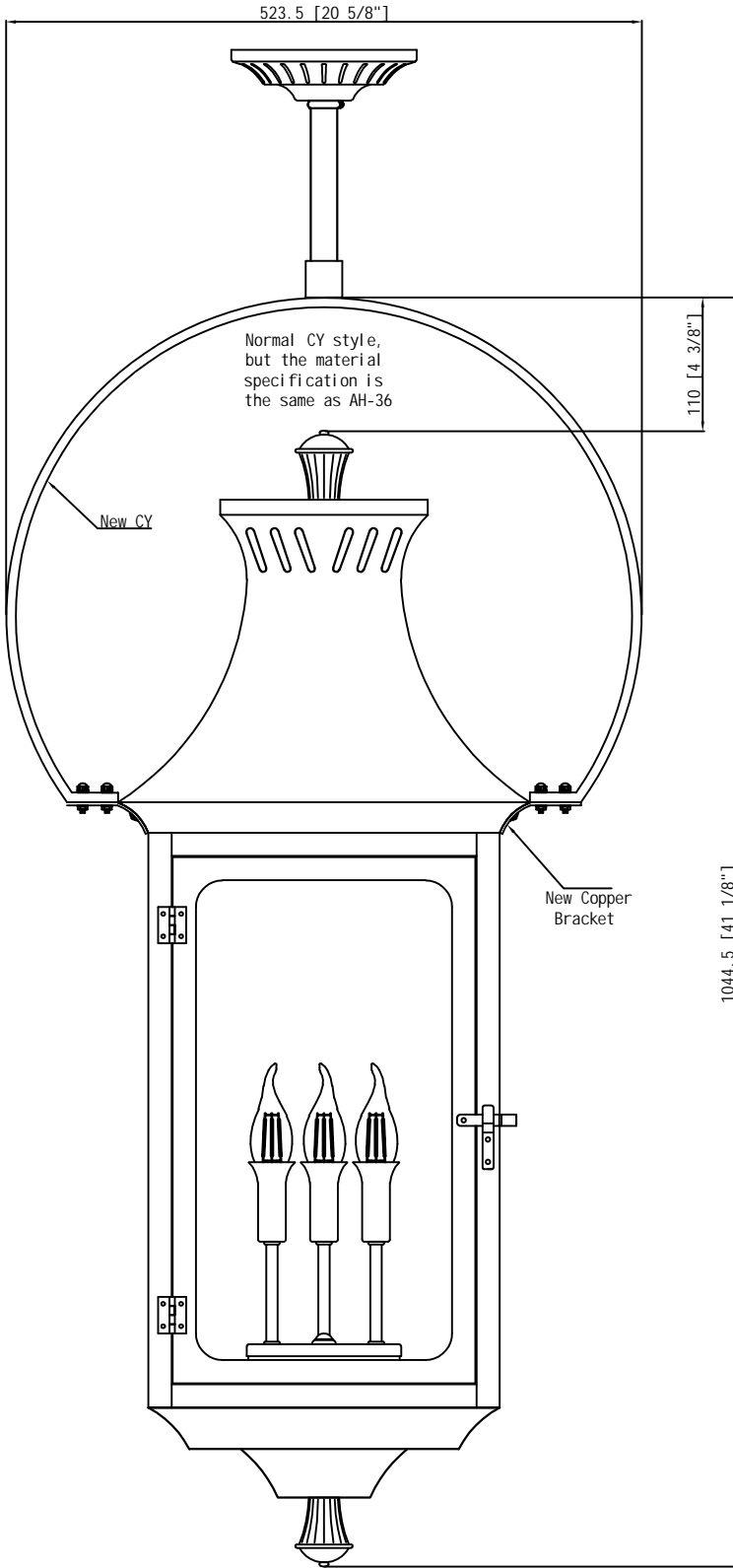


APPROVE BY: \_\_\_\_\_

SIGNATURE: \_\_\_\_\_

DATE: \_\_\_\_\_

THIS DRAWING IS PROPERTY OF THE COPPERSMITH INC. AND IS SUBMITTED IN CONFIDENCE AND SHALL NOT BE REPRODUCED, COPIED NOR TO OTHERS WITHOUT WRITTEN PERMISSION FROM THE COPPERSMITH INC.	REVISION DESCRIPTION			The CopperSmith (BDT)	
	REV: A/0 DATE: 02/02/2023 DRAWING BY: Jason Huang	APPD APPD QTY JOB NO. DATE SCALE	APPD APPD QTY JOB NO. DATE SCALE	9152 Hard Drive Foley Alabama 36536	
LIMITS NOT SPECIFIED FRACTION ± 1/32 - ANGULAR ± 1/2° .0 ± .010 - .00 ± .005 - .000 ± .0025				NAME	
MATL				DRAWING NUMBER (Pinnacle)PC-36 With New CY	
ASSY				SHEET NUMBER	



APPROVE BY: \_\_\_\_\_

SIGNATURE: \_\_\_\_\_

DATE: \_\_\_\_\_

THIS DRAWING IS PROPERTY OF THE COPPERSMITH INC. AND IS SUBMITTED IN CONFIDENCE AND SHALL NOT BE REPRODUCED, COPIED NOR TO OTHERS WITHOUT WRITTEN PERMISSION FROM THE COPPERSMITH INC.	REVISION DESCRIPTION			<b>The CopperSmith (BDT)</b>	
	REV: A/0 DATE: 02/02/2023 DRAWING BY: Jason Huang			9152 Hard Drive Foley Alabama 36536	
LIMITS NOT SPECIFIED FRACTION $\pm 1/32$ - ANGULAR $\pm 1/2^\circ$ $.0 \pm .010 - .00 \pm .005 - .000 \pm .0025$		APPD		NAME	
MATL		APPD		DRAWING NUMBER (Pinnacle)PC-36 With New CY	
ASSY		QTY		SHEET NUMBER	
		JOB NO.			
		DATE			
		SCALE			