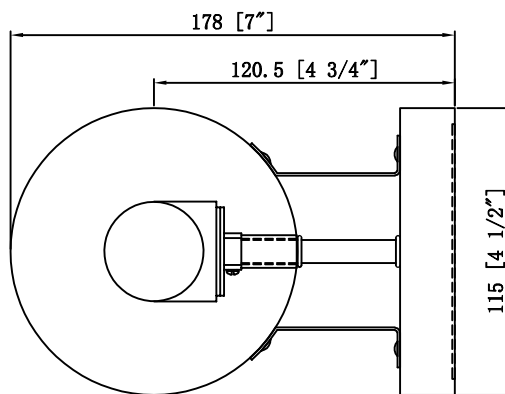


Round mounting plate



| | | | | |
|--|-------------------------|---------|--|---|
| THIS DRAWING IS PROPERTY OF THE COPPERSMITH INC. AND IS SUBMITTED IN CONFIDENCE AND SHALL NOT BE REPRODUCED, COPIED NOR DISCLOSED TO OTHERS WITHOUT WRITTEN PERMISSION FROM THE COPPERSMITH INC. | REVISION DESCRIPTION | | | The CopperSmith (BDT) 30516 Sgt. E. I. Boots Thomas Dr 251-621-3435 FAX 251-621-3411 |
| | REV: A/1 | | | |
| | DATE: 08/01/2024 | | | |
| | DRAWING BY: Jason Huang | | | |
| LIMITS NOT SPECIFIED FRACTION $\pm 1/32$ - ANGULAR $\pm 1/2^\circ$.0 $\pm .010$ - .00 $\pm .005$ - .000 $\pm .0025$ | | APPD | | NAME |
| | | APPD | | DRAWING NUMBER |
| | | QTY | | CWSL |
| | | JOB NO. | | SHEET NUMBER |
| MATL | | DATE | | |
| ASSY | | SCALE | | |